

FLOWMETER SERIES

Snowate

Hengshui Snowate Environmental
Technology Co., Ltd.

2022

EDITION FOR
SNOWATE CATALOG



LZT Series Acrylic Flowmeter / P1-7



LZS Series Durable Plastic Tube Type flowmeter / P8-10



KF600 Orifice Plate Flowmeter/ P11-14



LZB Series Glass Tube Flowmeter / P15-26



LZ Series Variable-area Flowmeter / P27-33



LW Turbine Flowmeter / P34-35



LD Series Electromagnetic Flowmeter / P36-42



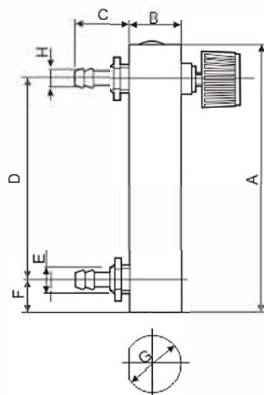
LZT Series Acrylic Flow Meter

LZT Series panel and pipe flow meter

LZT Serial flow meter, which is made of Acrylic, is used to measure the single-phase non-pulsating flux of liquid or gas. It is featured in beautiful look, low weight and durability.

LZT-6TO₂ Oxygen flowmeter for concentrator

This flow meter is mainly used for measuring and controlling the flow of Oxygen in Oxygen concentrator.



Technical Parameters of LZT-6TO₂ Series flow meter

Model	No.	Range (L/min)	Connection Type	Accuracy	Size(mm)							
					A	B	C	D	E	F	G	H
LZT-6TO ₂	3	0-5 0-10	hose connection	± 5%	93	20	21or19	70	M10X1 or 9/16-18	10	22	8
	4	0-5			96	20		70		13	22	8
	5	0-5 0.1-1 0-10 4-25			106	20		80		13	22	8
	6	0-5 0-10			108	20		70		25	22	8
	7	0-5 0-10			116	20		90		13	22	8

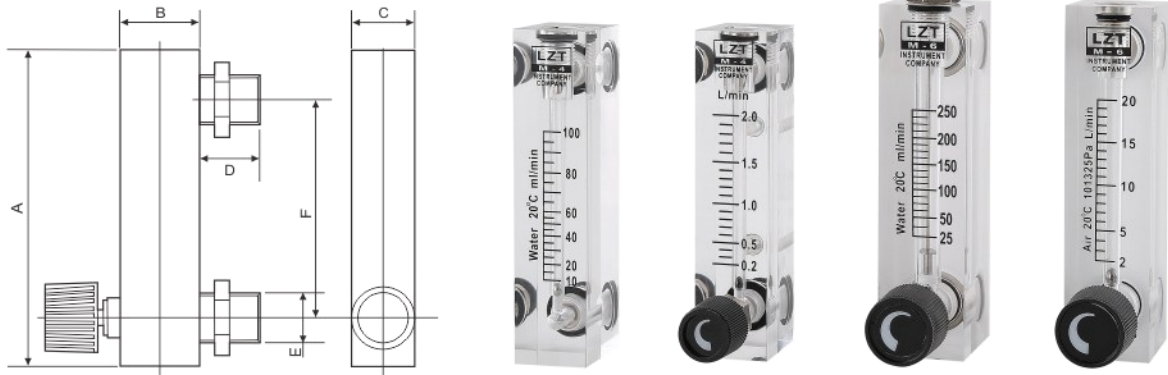
The material of LZT-6TO₂ Series flow meter

With valve	Valve	Fitting	O-ring
T-with O-without	√ 1.Brass 2.SS	1.Brass √ 2.Brass chromeplate 3.SS 4.POM plastic	1.Fluoroplastic rubber √ 2.Butyl

Note: Mark with "√", the material of the flow meter is the General Configuration.

LZT Series Acrylic Flow Meter

LZT-4T、6T、8T Panel flowmeter



Technical Parameters of LZT-4T、6T、8T Series flow meter

Model	Range		Screw Thread	Accuracy	Size(mm)					
	ML/min (Liquid)	L/min (Gas)			A	B	C	D	E	F
LZT-4T	6-60 8-80 10-100 40-400	0.1-1 0.25-2.5 1-10	0.2-2 1-4 1-12	Quick plug	94	27	21	14	14	70
LZT-6T	2-20LPH 4-40LPH 6-60LPH 10-100LPH 10-70GPH	0.5-5 2-20 5-50 10-100	1-10 4-40 6-60	FemaleZG1/4" ±4%	102	30	25	18	M18x1.5	76
LZT-8T	2.5-25LPH 5-45LPH 6-60LPH	0.1-1m ³ /h 0.16-1.6m ³ /h 0.2-2m ³ /h								

The material of LZT-4T、6T、8T Series flow meter

With valve	Valve	Fitting	O-ring
T-with O-without	√ 1.Brass 2.SS	1.Brass √ 2.Brass chromeplate 3.SS	√ 1.Silicone ring 2.Fluoroplastic rubber 3.Butyl

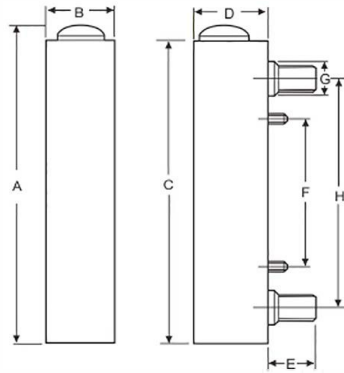
Note: Mark with "√", the material of the flow meter is the General Configuration.

Purchasing Guide: Please fill in the model, specifications, code

LZT- Model Valve Range Fitting O-ring

LZT Series Acrylic Flow Meter

LZT-Series panel flowmeter



Technical Parameters of LZT series flow meter

Model	Range			Screw thread	Accuracy	Size (mm)							
	GPM(Liquid)	LPM(Liquid)	Nm ³ /h(Gas)			A	B	C	D	E	F	G	H
LZT-15		10-100LPH 16-160LPH 25-250LPH	0.1-1 0.16-1.6 0.25-2.5 0.4-4 0.6-6 1-10 1.6-16 2-20 2.5-25 3-30 4-40	MaleZG1/2" FemaleZG1/4"	± 4%	175	32	168	35	25	76	25	127
	0.05-0.5	0.2-1.8											
	0.1-1	0.5-4											
	0.2-2	1-7											
	0.3-3	1-11											
	0.5-5	2-18											
LZT-25	1-10	5-35	2.5-25 4-40 6-60 10-100 16-160 20-100 25-250 30-300 35-350	MaleZG1"	± 4%	236	45	228	46	33	101.6	37	165
	2-16	12-60											
	2-14	12-52											
	2-20	10-70											
	5-35	30-130											
	4-40	15-150											
5-45	20-170												

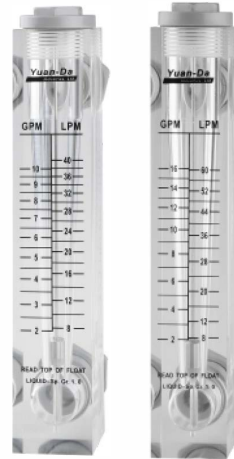
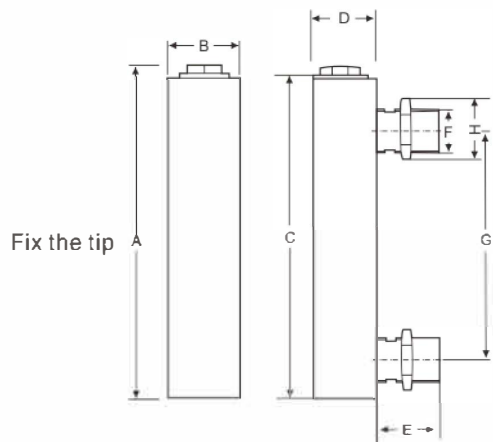
The material of LZT Series flow meter

With valve	Valve	Fitting	O-ring
T-with O-without	√ 1.Brass 2.SS	1.ABS 2.PP √ 3.PVC 4.Brass 5.Brass chromeplate 6.SS	√ 1.Silicone rubber 2.Fluoroplastic rubber

Note: Mark with "√", the material of the flow meter is the General Configuration.

LZT Series Acrylic Flow Meter

LZT-J Series panel flowmeter



Technical Parameters of LZT -J series flow meter

Model	Range			Screw thread	Accuracy	Size (mm)								
	GPM(Liquid)	LPM(Liquid)	Nm ³ /h(Gas)			A	B	C	D	E	F	G	H	
LZT-15J	0.1-1	0.5-4	1-10 4-40	1.6-16	MaleZG1/2" MaleZ1/2"	±4%	216	32	206	37	33	1/2"	165	30
	0.2-2	1-7												
	0.3-3	1-11												
	0.5-5	2-18												
	1-7	2-28												
LZT-20J	1.5-9	5-35	2.5-25 16-160	6-60	MaleZG3/4" MaleZ3/4"	±4%	233	39	220	44	49	3/4"	165	32
	2-10	8-40												
	2-16	8-60												
LZT-25J	2-20	8-80	20-200 25-250		MaleZG1" MaleZ1"	±4%	253	44	240	50	48	1"	175	40
	1.5-15	6-60												
	3-13	10-50												
	4-24	10-100												
LZT-40J	5-35	10-130			MaleZG1 1/2" MaleZ1 1/2"	±4%	265	65	250	65	33	1-1/2"	170	52
	5-45	10-170												
	10-45	40-170												
	15-50	60-200												
	10-60	60-240												
	20-70	80-260												
	20-80	80-300												

The material of LZT-J Series flow meter

With valve	Valve	Fitting	O-ring
T-with O-without	√ 1.Brass 2.SS	1.ABS 2.PP √ 3.PVC 4.Brass 5.Brass chromeplate 6.SS	√ 1.Silicone rubber 2.Fluoroplastic rubber

Note: Mark with "√", the material of the flow meter is the General Configuration.

LZT Series Acrylic Flow Meter

Technical Parameters of LZT -T/JT series flow meter

Model	Range			Screw thread	Accuracy
	GPM(Liquid)	LPM(Liquid)	Nm ³ /h(Gas)		
LZT-15T		10-150LPH	0.6-6 1-10 1.6-16 2.5-25 4-40	MaleZG1/2" FemaleZG1/4"	± 4%
		16-160LPH			
		25-250LPH			
	0.1-1	0.5-4			
	0.2-2	1-7			
LZT-25T		10-35	20-100 40-160 50-250	MaleZG1"	± 4%
		15-50			
		20-70			
		30-130			
		30-150			
LZT-15JT		0.5-4	1-10 1.6-16 4-40	MaleZ1/2"	± 4%
		0.8-8			
		1-11			
		2-18			
LZT-20JT		8-40	2.5-25 6-60 16-80 16-160	MaleZ3/4"	± 4%
		8-60			
		8-80			
LZT-25JT		10-50	20-200 25-250	MaleZ1"	± 4%
		20-100			
		30-130			
		30-170			



LZT-T/JT and LZT-J Series the size is same, please reference P3, P4.

The material of LZT Series flow meter

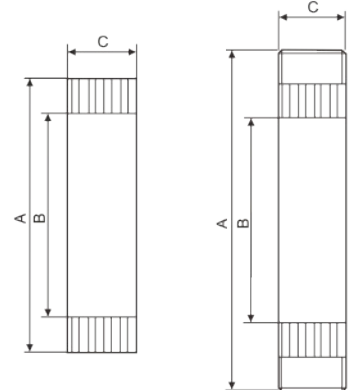
With valve	Fitting	O-ring
✓ T-with O-without	1.ABS 2.PP ✓ 3.PVC 4.Brass 5.Brass chromeplate 6.SS	✓ 1.Silicone rubber 2.Fluoroplastic rubber

Note: Mark with "✓", the material of the flow meter is the General Configuration.

LZT Series Acrylic Flow Meter

Technical Parameters of LZT -G series flow meter

Model	Range			Screw thread	Accuracy
	GPM(Liquid)	LPM(Liquid)	Nm ³ /h(Gas)		
LZT-15G LZT-15GF		10-100LPH	0.1-1 0.3-3	FemaleZG1/2"	±4%
		16-160LPH			
		25-150LPH			
	0.05-0.5	0.2-2			
	0.1-1	0.5-4			
LZT-20G LZT-20GF	0.2-2	1-7	0.6-6 1-10	FemaleZG3/4"	±4%
	0.3-3	1-11	1.6-16 2.5-25		
	0.5-5	2-18	4-40		
	1-10	5-35	6-60 10-100		
LZT-25G LZT-25GF	2-16	10-60	15-140	FemaleZG1"	±4%
	2-20	10-70			
	1-10	5-35	6-60 10-100		
LZT-40G LZT-40GF	2-16	10-60	15-140 16-160	FemaleZG1-1/2"	±4%
	2-20	10-70	25-250 30-300		
	3-30	12-120			
	4-40	15-150			
	5-45	20-170			
LZT-50G LZT-50GF	4-40	15-150		Female 、 MaleG2"	±4%
	6-60	25-240			
	8-80	30-300			
	10-100	50-350			
LZT-75G	20-80	80-300	100-500	MaleG3"	±4%
	20-100	80-360	120-600		
	40-120	150-450	300-850		
	50-150	150-600	400-1200		
LZT-75G	50-200	200-800	500-1400		
	50-300	200-1000			
LZT-75G	50-400	200-1500			



Female thread connection

Male thread connection

LZT-G Pipe flowmeter dimension

Model	Size (mm)		
	A	B	C
LZT-15G	210	180	32
LZT-20G	278	210	45
LZT-25G	265	235	51
LZT-40G	302	230	68
LZT-50G外	380	270	75
LZT-50G内	340	270	75
LZT-75G	400	290	100

Note: For buyer's convenience, we design two constructions for this series of flowmeter, one is circular, and the other one is quadrate, their measure range is same, LZT-G Circular tube type flowmeter, LZT-GF Quadrate tube type flowmeter. The LZT-G series diameter C is the width and height of the LZT-GF series, the same size as the A and B.

The material of LZT -G Series flow meter

Fitting	O-ring
1.ABS 2.PP √ 3.PVC 4.Brass 5.Brass chromeplate 6.SS	√ 1.Silicone ring 2.Fluoroplastic rubber 3.Butyl

Note: Mark with "√", the material of the flow meter is the General Configuration.

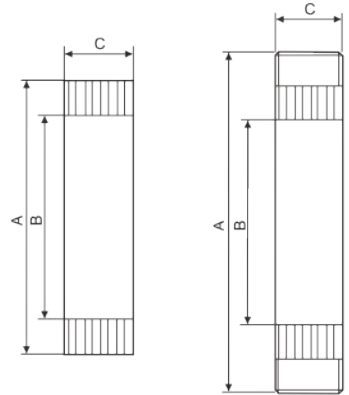
Purchasing Guide: Please fill in the model, specifications, code

LZT- Model Valve Range Fitting O-ring

LZT Series Acrylic Flow Meter

Technical Parameters of LZT -G Series flow meter

Model	Range			Screw thread	Accuracy
	GPM(Liquid)	LPM(Liquid)	Nm ³ /h(Gas)		
LZT-15GL LZT-15GLF		10-100LPH		FemaleZG1/2"	± 4%
		16-160LPH			
		25-150LPH	0.1-1 0.3-3		
	0.05-0.5	0.2-2	0.6-6 1-10		
	0.1-1	0.5-4	1.6-16 2.5-25		
	0.2-2	1-7	4-40		
LZT-20GL LZT-20GLF	1-10	5-35	6-60 10-100	FemaleZG3/4"	± 4%
	2-16	10-60	15-140		
	2-20	10-70			
LZT-25GL LZT-25GLF	1-10	5-35	6-60 10-100	FemaleZG1"	± 4%
	2-16	10-60	15-140 16-160		
	2-20	10-70	25-250 30-300		
	3-30	12-120			
	4-40	15-150			
LZT-40GL LZT-40GLF	4-40	15-150		Female ZG1-1/2"	± 4%
	6-60	25-240			
	8-80	30-300			
	10-100	50-350			



Female thread connection

Male thread connection

LZT-GL Pipe flowmeter dimension

Model	Size (mm)		
	A	B	C
LZM-15GL	210	180	32
LZM-20GL	278	236	45
LZM-25GL	265	235	51
LZM-40GL	306	235	51

Note: For buyer's convenience, we design two constructions for this series of flowmeter, one is circular, and the other one is quadrate, their measure range is same, LZT-GL Circular tube type flowmeter, LZT-GLF Quadrate tube type flowmeter.

The material of LZT -GL Series flow meter

Fitting	O-ring
1.ABS 2.PP ✓ 3.PVC 4.Brass 5.Brass chromeplate 6.SS	✓ 1.Silicone ring 2.Fluoroplastic rubber 3.Butyl

Note: Mark with "✓", the material of the flow meter is the General Configuration.

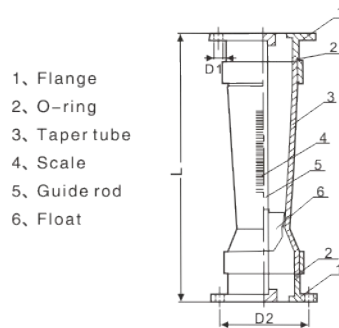
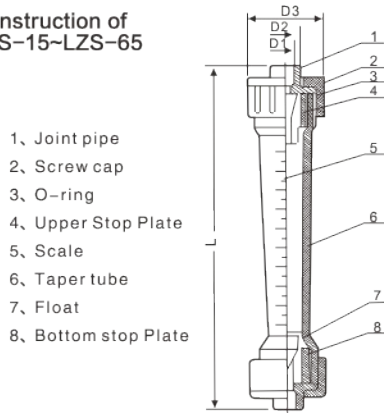
Purchasing Guide: Please fill in the model, specifications, code

LZT- Model Valve Range Fitting O-ring

LZS-Durable Plastic Tube Type Flowmeter

LZS-Plastic flowmeter

Construction of LZS-15~LZS-65



Construction of LZS-100~LZS-150



Technical Parameters of LZS Series flow meter

Model	Diameter (DN)mm	Range		Accuracy	Conditions		Size (mm)				Suit pipe Dg(mm)				
		Long tube type(L)	Short tube type(D)		Temperature℃	Pressure Mpa	Long tube type		Short tube type						
LZS-15	15	10-100l/h 16-160l/h 25-250l/h 40-400l/h 60-600l/h	5-50l/h	±4%	0-60	≤0.6	L	D1	D2	D3	202	20	26	45	15or20
			10-100l/h 16-160l/h 25-250l/h 40-400l/h 50-500l/h 60-600l/h 100-1000l/h				280	20	26	45					
LZS-25	25	100-1000l/h 160-1600l/h 250-2500l/h	100-1000l/h 160-1600l/h 250-2500l/h	±4%	0-60	≤0.6	380	32	39	68	226	32	39	60	25or32
LZS-32	32		0.4-4m³/h 0.6-6m³/h										288	40	49.5
LZS-50	50	0.4-4m³/h 0.6-6m³/h 1-10m³/h 1.6-16m³/h	1-10m³/h 1.6-16m³/h	±4%	0-60	≤0.6	430	63	73	98	341	63	73	98	50or65
LZS-65	65		2.5-16m³/h 5-25m³/h 8-40m³/h 12-60m³/h										430	75	88
LZS-100	100		14-90m³/h 18-120m³/h							510	18	180		100	
LZS-125	125		14-90m³/h 18-120m³/h 20-150m³/h 25-180m³/h							510	18	180		125	
LZS-150	150		14-90m³/h 20-120m³/h 25-150m³/h 25-180m³/h 25-200m³/h							510	18	180		150	

LZS-plastic flowmeter Parts material

Taper tube:AS, Joint pipe(flange)、
Screw cap、 Stop Plate、 Float : ABS

Note

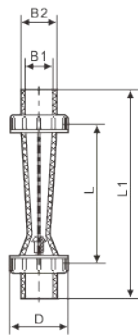
Long tube without guide rod, Short tube type with guide rod

LZS-Durable Plastic Tube Type Flowmeter

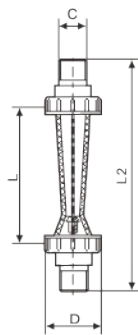
LZS-E Durable Plastic tube type flowmeter

Main parts: PC body, Fitting made of PVC, ABS or SS float.

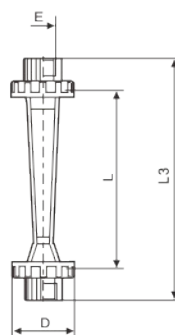
Thread joint and panel-mounted fittings are easy to install, economical and durable.



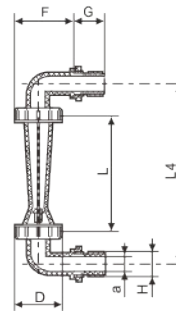
Joint (P)



Male (M)



Female (F)



Elbow (W)

LZS-E Datasheet

Model	DN	Range		Accuracy	Tem °C	Pressure
		GPM	LPM			
LZS-15E	15	0.1-1	0.5-4	±4%	0-60	≤1MPa
		0.2-2	1-7		0-100	
		0.5-5	1.8-18		0-60	
LZS-25E	25	0.8-8	3-30		0-60	
		1-10	4-40		0-100	
LZS-32E	32	1.2-12	5-50		0-60	
		2-20	8-80		0-100	
		2.5-25	10-100		0-60	
LZS-50E	50	2.5-25	10-100		0-60	
		5-45	20-180		0-100	
		7-70	25-250		0-60	
LZS-65E	65	25-110	80-400		0-60	
		40-160	150-650	0-100		
		50-250	200-1000	0-100		



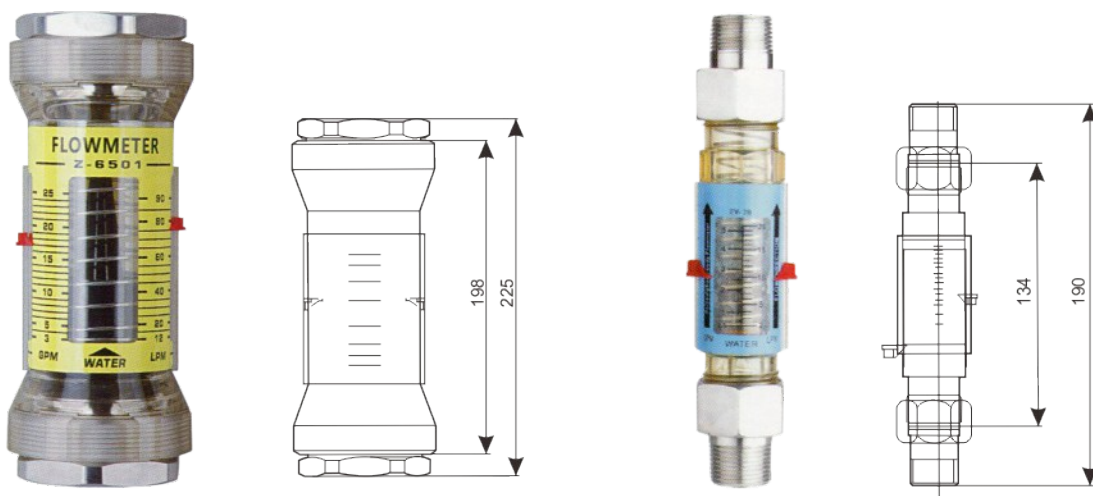
LZS-E Dimensions for installation

Model	L	D	Joint (P)			Male (M)		Female (F)		Elbow (W)				
			L1	B1	B2	L2	C	L3	E	L4	F	G	A	H
LZS-15E	160	φ 50	210	φ 20	φ 26	225	G1/2" Z1/2"	210	G1/2" Z1/2"	220	56	27	φ 13	G1/2" Z1/2"
LZS-25E	170	φ 59	230	φ 32	φ 39	250	Z3/4"	225	G3/4" Z3/4"	270	70.5	28	φ 20	G3/4" Z3/4"
LZS-32E	225	φ 72	290	φ 40	φ 49	310	Z1"	290	G1" Z1"	345	86	35	φ 26	G1" Z1"
LZS-50E	290	φ 98	375	φ 63	φ 73	400	Z2"	370	Z2"	440	109	40	φ 45	G2" Z2"
LZS-65E	325	φ 120	420	φ 75	φ 89	445	Z2 1/2"	420	Z2 1/2"	/	/	/	/	/

EV Series Plastic Tube Type Flowmeter

EV Series Plastic Tube Type Flowmeter

The flow meter construction is made high strength engineering plastics (PC Polycarbonate or poly Sulphone). Which is high temperature resistant and corrosion-proof. Allows multiple locations of installation. It bears high pressure. Working pressure: $\leq 1.0\text{Mpa}$ Temperature: PC: $0-80^{\circ}\text{C}$ PSU: $0-120^{\circ}\text{C}$ Accuracy: $\pm 6\%$



Technical Parameters of EV Series Plastic Tube Type Flowmeter

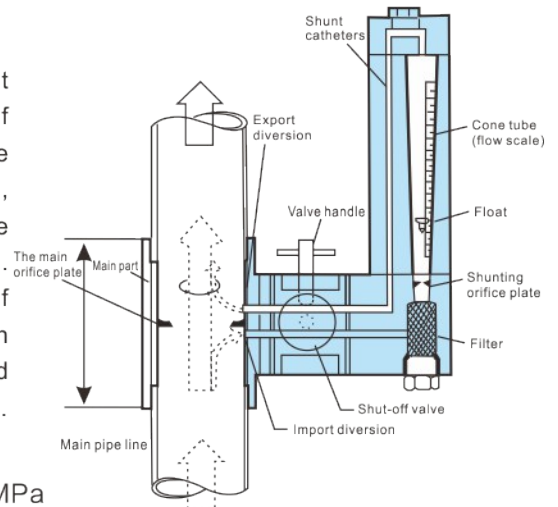
Model	Range				Thread	Material
	Water 20°C		Air $101325\text{pa}20^{\circ}\text{C}$			
	GPM	LPM	GPM	LPS		
EV 15 20 25	0.5-5 1-7 1-10 1-16 3-18 4-28	2-20 4-26 4-35 5-60 15-65 20-100	80-320 160-480 240-720 320-1100	5-20 10-30 15-45 20-70	ZG, Z, G1/2"(Female Male) ZG, Z, G3/4"(Female Male) ZG, Z, G1"(Female Male)	Brass SS PP PVC
EV 40 50	3-25 5-50 8-80 10-100	12-90 20-200 30-280 40-380	250-1500 350-2200 450-4500	15-95 20-140 25-275	ZG, Z, G1 1/2"(Female) ZG, Z, G2"(Female) 2 "Plastic pipe socket connection	

Orifice plate Flowmeter

Model selection and description

KF600 series of integrated orifice flowmeter is a shunt flowmeter, float flowmeter installed in the measuring tube and the combination of manifold with the orifice. There are four different connections for the user to choose, namely "thread" (AT), "flange" (AF), and "folder" (AC), separate (AD). When the fluid flows through the main orifice plate, the differential pressure is generated on both sides of the orifice plate. The differential pressure is equivalent to the flow rate. The flow rate of the float flowmeter is equivalent to that of the float flowmeter. Through the main channel of the flow, so the flow through the main pipe fluid size, can be completed by the glass float flow meter scale instructions.

Medium temperature: PVC: 0~60°C Accuracy: ±3%
 SS304: 0~120°C Working pressure: ≤1.0MPa

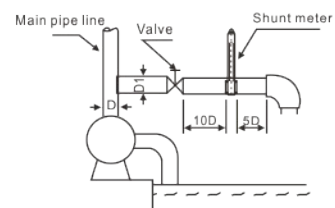
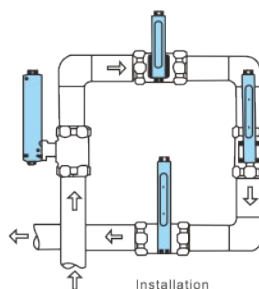


KF600 Technical Parameters

Dimension DN (mm)		Range	
		Water (m ³ /h)	Air (Nm ³ /h)
10	3/8"	0.1~0.5	0.8~4
15	1/2"	0.2~1	2~10
20	3/4"	0.5~2.5	5~25
25	1"	1~5	8~40
32	1-1/4"	1.4~7	12~60
40	1-1/2"	2~10	18~90
50	2"	4~20	35~175
65	2-1/2"	7~35	60~300
80	3"	10~50	80~400
100	4"	18~90	160~800
125	5"	25~125	250~1250
150	6"	40~200	350~1700
200	8"	70~350	600~2800
250	10"	100~500	900~5000
300	12"	180~900	1600~7800
350	14"	200~1000	2000~9500
400	16"	300~1500	3000~14500
450	18"	400~2000	4000~19000
500	20"	500~2500	5000~24000

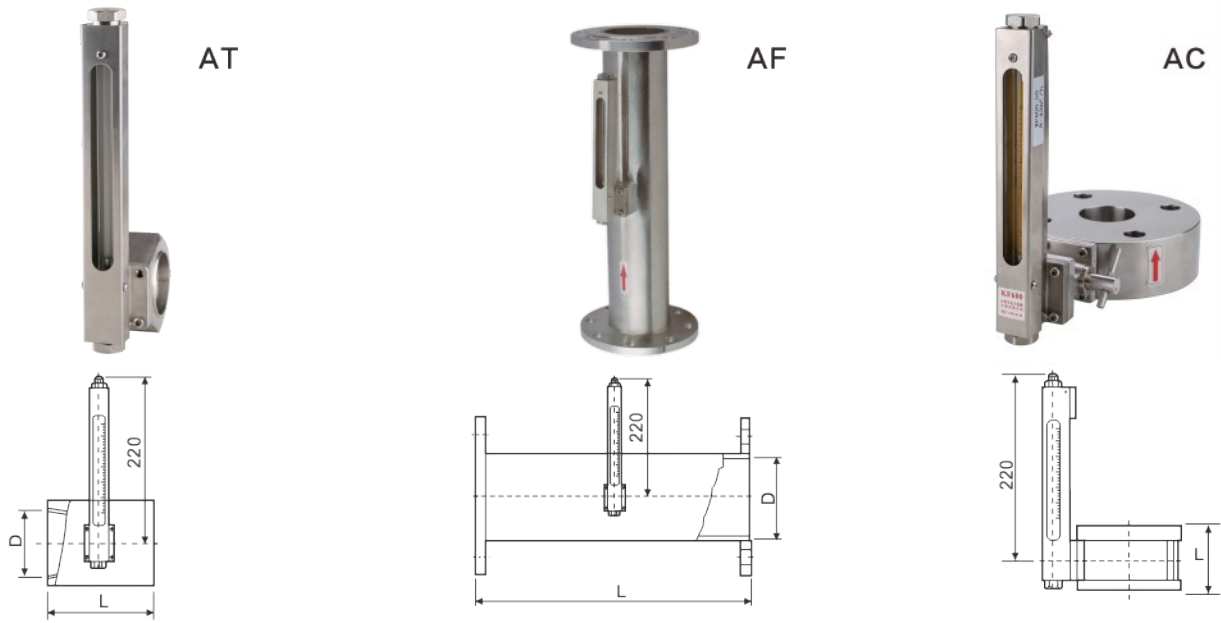
Installation direction:

KF600 orifice flowmeter can be changed as shown in the right direction of its installation direction, the flow direction: bottom → top, left → right, right → left and top → bottom, in the scenc to change the flow of the flow meter is very easy.

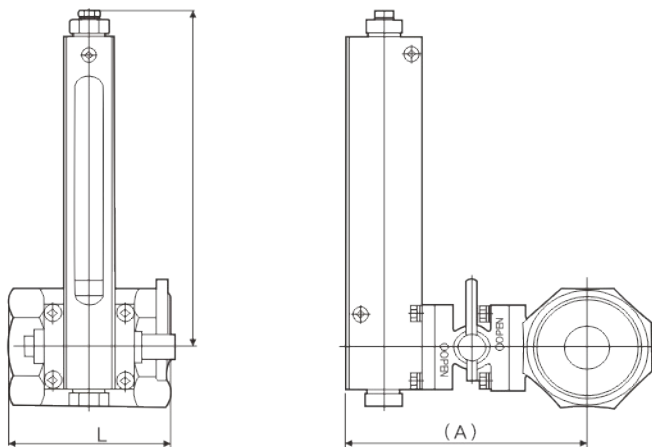


Require the installation of straight pipe section

Orifice plate Flowmeter



AT Screw thread type



Installation requirements before and after the straight pipe:

In order to achieve accurate low measurement flow, it is recommended that the following straight pipe.

D=the main pipe diameter

	90°CEIbow	Fully open valve
Upstream straight pipe	10D	12D
Downstream straight pipe	5D	5D

AT Dimensions

unit (mm)

Materia	Diameter ss304	
	L	*A
10	70	
15	70	
20	70	
25	70	
32	70	120
40	84	120
50	80	130
65	80	140
80	90	145
100	100	160

*A : In the absence of shut-off valve, A length should be reduced by 52MM.

Flow reading:

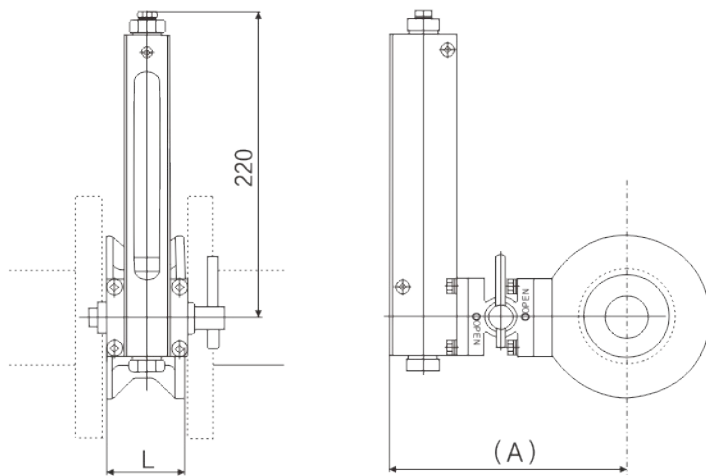
The flow is read by the position and scale of the float, see the chart below:

Detection of gas	The indicator (for liquids)
core → ○	TOP →
Alarm mode (metal material)	Alarm mode (PVC)
→	TOP →

Orifice plate Flowmeter

AC: Wafer connection type

(1) Material (SS304, PVC)



AC Dimensions

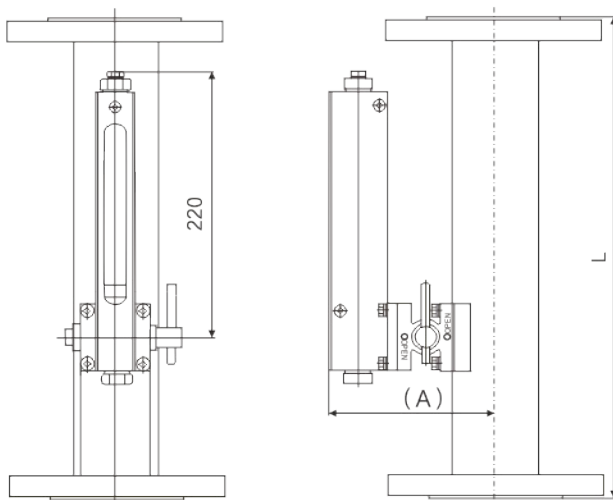
unit (mm)

diameter	L	*A
10	50	137
15	50	140
20	50	145
25	50	150
32	50	165
40	50	170
50	50	178
65	50	190
80	50	195
100	50	200
125	50	220
150	50	240
200	50	270
250	50	295
300	50	320
350	65	350
400	65	380
450	65	405
500	65	432
600	65	492

*A: On the clip connection type without the shut-off valve, the length of a should be reduced by 52mm.

AF: Flange type

(1) Material (304SS, PVC)



AF Dimensions

unit (mm)

Diameter	Material (304SS)	
	L	*A
10	520	-
15	520	-
20	520	-
25	520	-
32	520	-
40	520	138
50	520	143
65	540	150
80	540	157
100	540	168
125	540	180
150	540	193
200	540	218
250	540	242
300	540	268
350	540	460
400	540	510
450	540	560
500	540	610
600	540	710

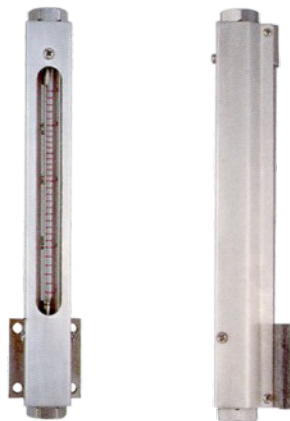
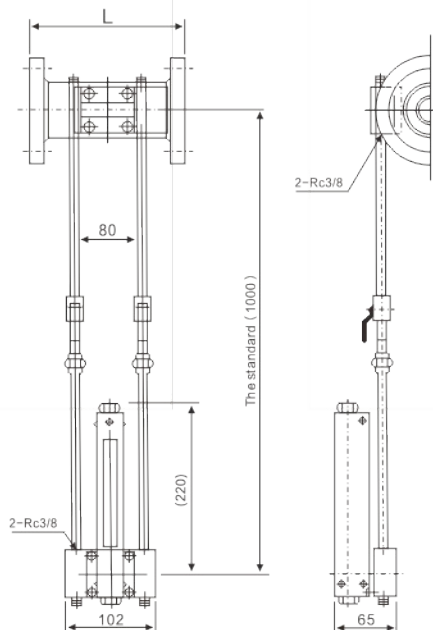
*A: In the absence of shut-off valve, A length should be reduced by 52MM. DN10~DN40 needs customization.

If there is a requirement for 200mm I can supply the special design (diameter 10mm~80mm) and I 300mm (100mm~600mm in diameter), the details with the manufacturers to negotiate.

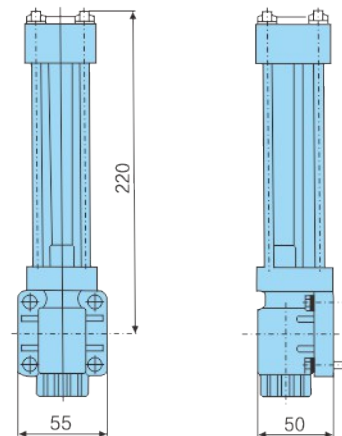
Orifice plate Flowmeter

■ AD:Separate type

When the location of the process piping is difficult to read, the two ball valves can be used as a maintenance indicator by means of a diversion conduit that allows the indicator to be moved up and down the process piping to facilitate reading of the flow rate. In addition, according to the scene conditions, detailed description of the size of the diversion pipe, direction, shape requirements manufacturers custom.



Field indicator 1 material (SS304)



Field indicator 2 material (PVC)

Glass Tube Flowmeter

summary

The LZB type measuring taper uses a smooth tapered glass tube.
LZJ type with ribbed conical glass tube.

Product standards: JB/T9255~1999 (industry standard)

Flange standards: GB/T9119~2000 (national standards)

(DN15~50mm is PN1.0MPa)

(DN80~100mm is PN0.6MPa)

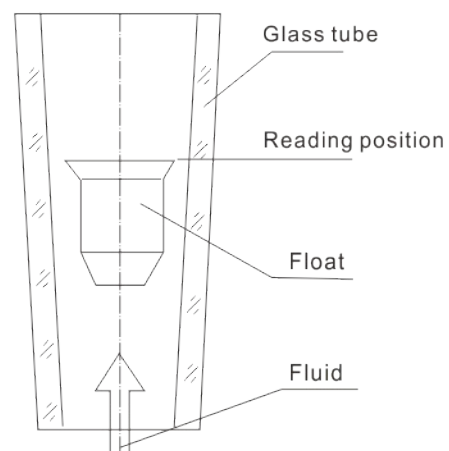


Principle of operation

The main measuring element flowmeter is a vertically mounted small large conical glass tubes and float can move up and down. When the fluid flows through the bottom-up tapered glass tube, the float between the upper and lower pressure difference, the pressure rise float effect. When the rising force, buoyancy and viscous force and float float by gravity is equal, the float is in balance position. Therefore, the fluid flow through the flowmeter and float height, there is a proportional relation between the flow meter and the flow area of the float position height can be used as a measure of the flow.

Features:

1. Pressure loss is small
2. Reliable performance, easy reading
3. Simple structure, easy to install and use
4. Cheap price



Glass Tube Flowmeter

■ Technical Parameters

- 1.Normal type: Mainly applicable to non-corrosive media flow.
No marks
- 2.Corrosion type: Mainly applicable to the measurement of corrosive media.
Maked as F: base of the PTFE(DN2~10) or Carbon steel flange lining PTFE(DN15~100)
- 3.SS304 type: Mainly applicable to the health and weak corrosive media measurement, can be resistant to corrosive gases in the environment.
Maked as B: SS304(Except glass tube and seals.
- 4.SS316:Mainly applicable to the health and weak corrosive media measurement, can be resistant to corrosive gases in the environment.
Maked as B0 :SS316(Except glass tube and seals.
- 5.SS corrosion type:Mainly applicable to strong corrosive media measurement, can be resistant to corrosive gases in the environment.
Maked asB/F:SS 304 flange lined with PTFE(DN15~100)

■ Media contact part of the material to distinguish

- 1.Normal type:

LZB-2~10			
Base and valve needle	Stop	Float	Sealed packing
Brass chrome and SS	PTFE	Agate ball or SS304	Acid-proof alkali rubber

LZB-15~40			
Flange	Stop	Float and guide rod	Sealed packing
Cast iron lining Acid-proof alkali rubber	PTFE	SS304	Acid-proof alkali rubber

LZB-50~100			
Flange	Stop	Float and guide rod	Sealed packing
Cast iron lining Amino baking paint	Cast iron lining Amino baking paint	SS304	Acid-proof alkali rubber

Note:All diameter flowmeter cone glass material is high borosilicate glass.

2.Corrosion type LZB-□□F or LZB-□□B/F

DN2~10 uses the PTFE base, DN15 ~ 100 with cast iron flanges lined with PTFE Marked as LZB-□□F.

Dn15~100 if you want to use stainless steel flange lined with PTFE, is a full stainless steel corrosion proof type, marked as LZB and b/f to be customized.

LZJ ribbed glass tube, with guiding float, mainly improve the stability to be customized.

3.SS type LZB-□□B 304 or LZB-□□B0 316

The flange or the base and the valve needle, a float and a guide rod, plate, shell and bolt are SS 304,Marked as LZB-□□B
DN ≤ 10mm, all stainless steel type 316 stainless steel material flow optional, marked as LZB-2~10B0, can be customized.
DN ≥ 15mm, All stainless steel type 316 stainless steel material flow optional support plate, gland cover is still 304 ,marked as LZB-15~100B0

Glass Tube Flowmeter

■ Model selection and description



LZB-2~3 Normal type、SS type



LZB-4~10 Normal type、SS type

1	Normal type	LZB-2	LZB-3	LZB-4	LZB-6	LZB-10	
2	Stain Steel type	LZB-2B	LZB-3B	LZB-4B	LZB-6B	LZB-10B	
3	Diameter	DN2	DN3	DN4	DN6	DN10	
4	Connection	M8×1(male)	M8×1(male)	φ 11Pagoda joints	φ 11Pagoda joints	φ 11Pagoda joints	
5	Pressure	PN1.0MPa	PN1.0MPa	PN1.0MPa	PN1.0MPa	PN1.0MPa	
6	The initial pressure	≥20mmH ₂ O	≥20mmH ₂ O	≥20mmH ₂ O	≥40mmH ₂ O	≥70mmH ₂ O	
7	Medium Temperature	0~+100℃	0~+100℃	0~+100℃	0~+100℃	0~+100℃	
8	Accuracy	±4%	±4%	±4%	±2.5%	±2.5%	
9	Range ratio	1:10	1:10	1:10	1:10	1:10	
10	Flow Range	Liquid	0.4~4mL/min	2.5~25mL/min	1~10L/h	2.5~25L/h	6~60L/h
			0.6~6mL/min	4~40mL/min	1.6~16L/h	4~40L/h	10~100L/h
			1~10mL/min	6~60mL/min	2.5~25L/h	6~60L/h	16~160L/h
			1.6~16mL/min	10~100mL/min	/	/	/
		6~60mL/min	40~400mL/min	16~160L/h	0.04~0.4m ³ /h	0.1~1m ³ /h	
		Air	10~100mL/min	60~600mL/min	25~250L/h	0.06~0.6 m ³ /h	0.16~1.6m ³ /h
			16~160mL/min	0.1~1L/min	0.04~0.4 m ³ /h	0.1~1m ³ /h	0.25~2.5m ³ /h
25~250mL/min	0.16~1.6 L/min		/	/	0.5~5m ³ /h		

Glass Tube Flowmeter

■ Model selection and description



LZB-2~3 Anti-corrosion type



LZB-4~10 Anti-corrosion type

1	Anti-corrosion type	LZB-2F	LZB-3F	LZB-4F	LZB-6F	LZB-10F	
2	Diameter	DN 2	DN3	DN4	DN6	DN10	
3	Connection	φ 9Pagoda joints	φ 9Pagoda joints	φ 11Pagoda joints	φ 11Pagoda joints	φ 11Pagoda joints	
4	Pressure	PN1.0MPa	PN1.0MPa	PN1.0MPa	PN1.0MPa	PN1.0MPa	
5	The initial pressure	≥20mmH ₂ O	≥20mmH ₂ O	≥20mmH ₂ O	≥40mmH ₂ O	≥70mmH ₂ O	
6	Medium temperature	0~+100℃	0~+100℃	0~+100℃	0~+100℃	0~+100℃	
7	Accuracy	±4%	±4%	±4%	±4%	±4%	
8	Range ratio	1:10	1:10	1:10	1:10	1:10	
9	Flow Range	Liquid					2.5~25L/h
			0.4~4mL/min	2.5~25mL/min		1~10L/h	4~40L/h
			0.6~6mL/min	4~40mL/min		1.6~16L/h	6~60L/h
			1~10mL/min	6~60mL/min			10~100L/h
		Air	1.6~16mL/min	10~100mL/min			16~160L/h
			6~60mL/min	40~400mL/min	16~160L/h		0.1~1m ³ /h
			10~100mL/min	60~600mL/min	25~250L/h	0.04~0.4m ³ /h	0.16~1.6m ³ /h
			16~160mL/min	0.1~1L/min	0.04~0.4 m ³ /h	0.06~0.6 m ³ /h	0.25~2.5m ³ /h
		25~250mL/min	0.16~1.6L/min		0.1~1m ³ /h		

Glass Tube Flowmeter

Model selection and description



DN15~50 Normal type,
Anti-corrosion type, Stain Steel type



DN80~100 Normal type,
Anti-corrosion type, Stain Steel type

1	Normal type	LZB-15	LZB-25	LZB-40	LZB-50	LZB-80	LZB-100	
2	Stain Steel type	LZB-15F	LZB-25F	LZB-40F	LZB-50F	LZB-80F	LZB-100F	
3	Anti-corrosion type	LZB-15B	LZB-25B	LZB-40B	LZB-50B	LZB-80B	LZB-100B	
4	Diameter	DN15	DN25	DN40	DN50	DN80	DN100	
5	Connection	Flange	Flange	Flange	Flange	Flange	Flange	
6	Pressure	PN0.6MPa	PN0.6MPa	PN0.6MPa	PN0.6MPa	PN0.4MPa	PN0.4MPa	
7	The initial pressure	≥100mmH ₂ O	≥170mmH ₂ O	≥420mmH ₂ O	≥460mmH ₂ O	≥500mmH ₂ O	≥760mmH ₂ O	
8	Medium temperature	0~+100℃	0~+100℃	0~+100℃	0~+100℃	0~+100℃	0~+100℃	
9	Accuracy	±2.5%	±1.5%	±1.5%	±1.5%	±1.5%	±1.5%	
10	Accuracy	±4% <small>Anti-corrosion type</small>	±2.5% <small>Anti-corrosion type</small>	±2.5% <small>Anti-corrosion type</small>	±2.5%	±2.5% <small>Anti-corrosion type</small>	±2.5% <small>Anti-corrosion type</small>	
11	Range ratio	1:10	1:10	1:10	1:10	1:10, 1:5	1:5	
12	Flow Range	Liquid	16~160 L/h	40~400L/h	/	0.4~4m ³ /h	1~10m ³ /h	5~25m ³ /h
			25~250 L/h	60~600L/h	0.16~1.6m ³ /h	0.6~6m ³ /h	1.6~16m ³ /h	8~40m ³ /h
			40~400 L/h	100~1000L/h	0.25~2.5m ³ /h	1~10m ³ /h(special type) 2~8m ³ /h(Anti-corrosion type)	7~30m ³ /h(special type) 4~20m ³ /h(Anti-corrosion type)	12~60m ³ /h(special type) 20~60m ³ /h(Anti-corrosion type)
		Air	0.25~2.5m ³ /h	1~10m ³ /h	4~40m ³ /h	10~100m ³ /h	50~250m ³ /h	120~600m ³ /h
			0.4~4.0m ³ /h	1.6~16m ³ /h	6~60m ³ /h	16~160m ³ /h	80~400m ³ /h	200~1000m ³ /h
			0.6~6.0m ³ /h	2.5~25m ³ /h	/	/	/	/

LZB-S water meter calibration device dedicated flow meter

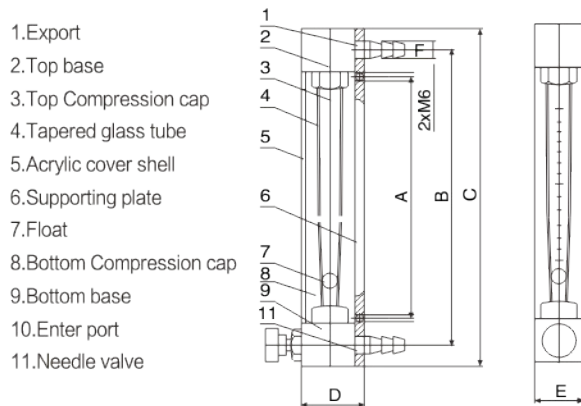
1	Model	LZB-15S	LZB-25S	LZB-50S	LZB-80S	
2	Diameter	DN15	DN25	DN50	DN80	
3	Pressure	PN0.6MPa	PN0.6MPa	PN0.6MPa	PN0.4MPa	
4	Accuracy	±1.5%	±1.5%	±1.5%	±1.5%	
5	Flow Range	Water(Medium)	4~128L/h	120~1400L/h	1.4~9m ³ /h	9~40m ³ /h

Note: The series for the water meter calibration device dedicated, can also be used for other occasions, you can do all stainless steel, can not do corrosion-resistant.

Glass Tube Flowmeter

Structure and dimension

LZB-2~10 Ordinary and stainless steel type dimensions

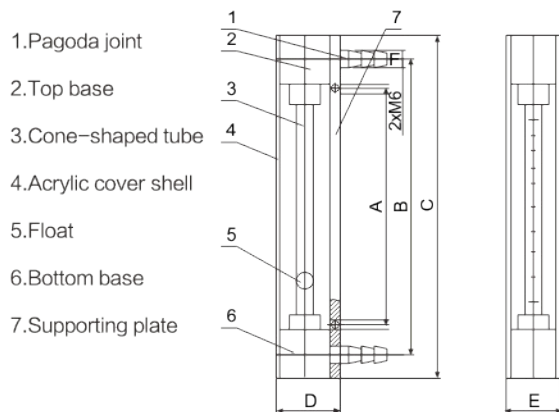


- 1.Export
- 2.Top base
- 3.Top Compression cap
- 4.Tapered glass tube
- 5.Acrylic cover shell
- 6.Supporting plate
- 7.Float
- 8.Bottom Compression cap
- 9.Bottom base
- 10.Enter port
- 11.Needle valve

(mm)

Diameter DN	A	B	C	D	E	F
2	110	132	150	31	26	M8×1
3	110	132	150	31	26	M8×1
4	170	208	238	40	34	φ 11
6	170	208	238	40	34	φ 11
10	170	208	238	40	34	φ 11

LZB-2~10 Anticorrosive type dimensions

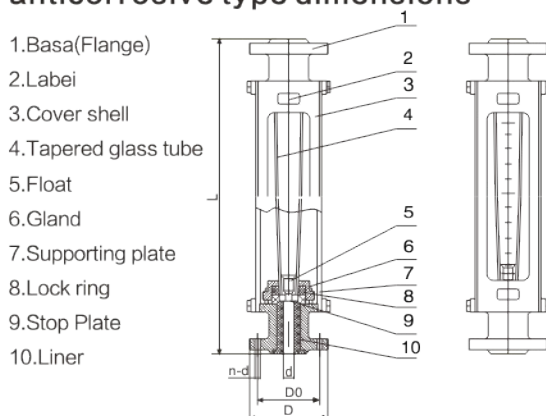


- 1.Pagoda joint
- 2.Top base
- 3.Cone-shaped tube
- 4.Acrylic cover shell
- 5.Float
- 6.Bottom base
- 7.Supporting plate

(mm)

Diameter DN	A	B	C	D	E	F
2	101	123	141	30	26	φ 9Pagoda joints
3	101	123	141	30	26	φ 9Pagoda joints
4	149	187	217	40	34	φ 11Pagoda joints
6	149	187	217	40	34	φ 11Pagoda joints
10	149	187	217	40	34	φ 11Pagoda joints

LZB-15~100 Ordinary 、 stainless steel 、 anticorrosive type dimensions



- 1.Basa(Flange)
- 2.Labei
- 3.Cover shell
- 4.Tapered glass tube
- 5.Float
- 6.Gland
- 7.Supporting plate
- 8.Lock ring
- 9.Stop Plate
- 10.Liner

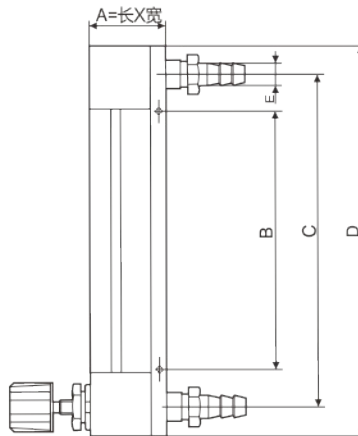
(mm)

Diameter DN	L	D0	D	d	n-d
15	470	φ 65	φ 95	φ 15	4- φ 14
25	470	φ 85	φ 115	φ 25	4- φ 14
40	570	φ 110	φ 145	φ 40	4- φ 18
50	570	φ 125	φ 160	φ 50	4- φ 18
80	660	φ 150	φ 185	φ 80	4- φ 18
100	660	φ 170	φ 205	φ 100	4- φ 18

LZB Glass Tube Flowmeter

LZB-4WB/6WB/10WB Series glass tube flowmeter

LZB-WB flowmeter has three specifications, including $\phi 4$, $\phi 6$, and $\phi 10$. This flow meter is suitable for measuring a small range of flow, the product has a small size, beautiful and lightweight features, widely used in a variety of analytical instruments, environmental Equipment, medical equipment and other laboratory equipment. WB type: flow meter with a control valve. W type: without regulating valve.



LZB-4WB/6WB/10WB Series glass tube flowmeter Technical parameter

Model	Flow range		Accuracy	Pressure	Working temperature
	Water L/min	Air L/min			
LZB-4WB	16-160ml/min	0.3-3	$\pm 4\%$	$\leq 1\text{MPa}$	0-60°C
	25-250ml/min	0.6-6			
LZB-6WB	0.04-0.4	0.7-7	$\pm 2.5\%$		
	0.06-0.6	1-10			
	0.1-1	1.5-15			
LZB-10WB	0.1-1	3-30	$\pm 2.5\%$		
	0.16-1.6	5-45			

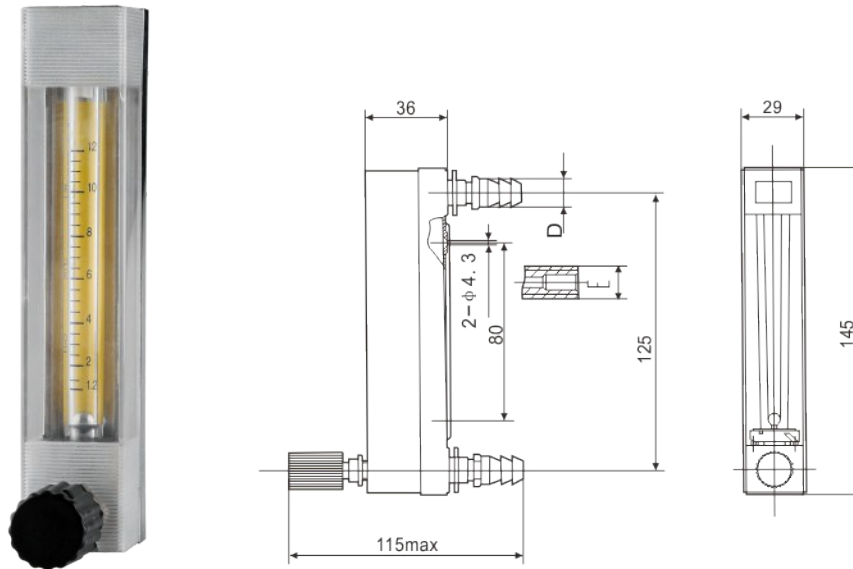
LZB-4WB/6WB/10WB Series glass tube flowmeter installation size

Model	Size (mm)				
	A	B	C	D	E
LZB-4WB	28 × 25	90	116	136	$\phi 8$
LZB-6WB	28 × 25	90	116	136	$\phi 11.5$
LZB-10WB	28 × 25	90	140	160	$\phi 11.5$

LZB Glass Tube Flowmeter

LZB-DK800 Glass tube flowmeter

The flowmeter is suitable for the measurement and adjustment of the small flow. The appearance is light and concise, the installation is simple and convenient, it is not necessary to remove the whole machine from the pipe, it can easily change the cone tube and the float, the connection way adopts the hose or the metal tube.



LZB-DK800 Type glass tube flowmeter Technical parameter

Model	Diameter (DN)mm	Flow range (L/h)		Accuracy (±%)	Medium		D	E	Metal tube diameter
		Water20°C	Air 101325Pa20°C		Working Tem	Working Pressure			
DK800-4 DK800-4F	4	0.25-2.5	0.5-5 0.8-8 1.6-16 4-40 6-60	2.5	-20°C ~ +120°C	≤1.0MPa	φ 9	M8X1	φ 5
DK800-6 DK800-6F	6	0.5-5 1.2-12 2.5-25 4-40 6-60 10-100 16-160	10-100 25-250 50-500 80-800 100-1000 180-1800 240-2400 300-3000 350-3500 430-4300						

Note: Maked as F means anti-corrosion types

LZB Glass Tube Flowmeter

LZB-VA/SA/FA10 serie

This is a highly accurate glass rotameter with diversified joint and various options of scalings from to percentage. VA10 is threaded connection. SA10 is hose connection, FA10 is movable flange connection.

10 Series



20 Series



30S Series



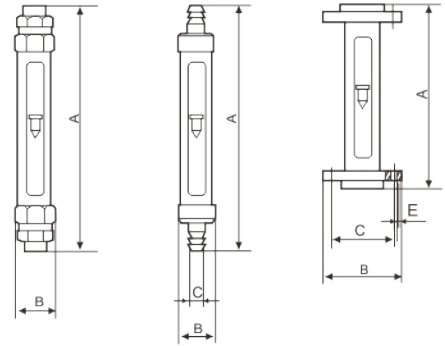
LZB-VA/SA/FA10 series Technical parameter

Model	Diameter	Flow range (L/h)				Accuracy (±%)	Pressure	Working temperature
		Water 20°C (l/h)		Air 101325Pa 20°C				
VA/SA/FA-15 VA/SA/FA-15 VA/FA/WA30S-15	15	4-40 12-120 25-250 40-400 65-650	6.3-63 16-160 30-300 46-460 75-750	10-100 20-200 36-360 63-630	0.12-1.2 0.3-3 0.5-5 0.8-8 1.2-12	0.2-2 0.4-4 0.6-6 0.9-9 2-20	-20~+60°C 或 -20°C~+120°C	≤1.0MPa
VA/SA/FA-25 VA/SA/FA-25 VA/FA/WA30S-25	25	40-400 63-630 100-1000 160-1600 250-2500	50-500 80-800 120-1200 200-2000 300-3000	1.6-16 2.5-25 4-40 6-60	2-20 3-30 5-50	≤0.9MPa		
VA/SA/FA-40 VA/SA/FA-40 VA/FA/WA30S-40	40	160-1600 250-2500 400-4000	200-2000 300-3000 500-5000	5-50 8-80 12-120	6-60 9-90	≤0.7MPa		
VA/SA/FA-50 VA/SA/FA-50 VA/FA/WA30S-50	50	250-2500 400-4000 630-6300 1000-10000 4000-16000	300-3000 500-5000 800-8000 1500-15000	10-100 16-160 30-300	12-120 20-200			

LZB Glass Tube Flowmeter

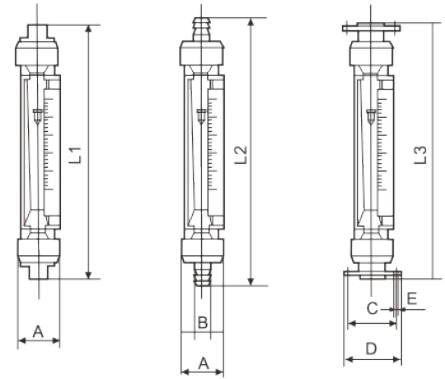
LZB-VA/SA/FA10 Series Installation dimensions and structure diagram

Diameter (DN)mm	Display Size a×b	VA10 pipe threaded joint			SA10 hose connection			FA10 Flange connection			
		A	B	pipe threaded	A	B	C	A	B	C	E
15	26×230	408	53	G1/2"	400	Φ44	Φ13.5	320	Φ95	Φ65	4-Φ14
25		414	75	G1"		Φ65	Φ27		Φ115	Φ85	
40	40×230	428	92	G1 1/2"	450	Φ80	Φ44		Φ145	Φ110	4-Φ14
50	50×230	431	116	G2"		Φ103	Φ53		Φ160	Φ125	



LZB-VA/SA/FA20 Series Installation dimensions and structure diagram

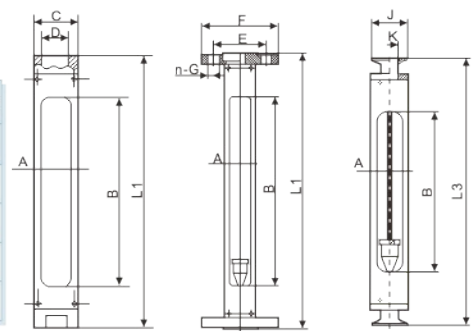
Diameter (DN)mm	VA20 pipe threaded joint			SA20 hose connection			FA20 Flange connection			
	L1	A	pipe threaded	L2	A	B	L3	D	C	E
15	Φ58	G1/2"	400	Φ58	Φ17	425	Φ95	Φ65	4-Φ14	
							*G3/8"	Φ88.9	Φ60.5	4-Φ16
							*NPT1/2"	Φ95.2	Φ66.5	4-Φ16
25	375	Φ74	450	Φ74	Φ30	425	Φ115	Φ85	4-Φ14	
							*G3/4"	Φ108	Φ79.2	4-Φ16
							*NPT1	Φ123.9	Φ88.9	4-Φ19
40	Φ92	G1 1/2"	450	Φ92	Φ44	425	Φ145	Φ110	4-Φ18	
							*NPT1 1/2"	Φ127	Φ98.6	4-Φ16
50	Φ112	G2"	450	Φ112	Φ54	425	Φ160	Φ125	4-Φ18	
							*NPT2"	Φ152.4	Φ120.7	4-Φ19



注：如果选用打“*”号连接，请在订货单上注明尺寸。

LZB-VA/FA/WA 30S Series Installation dimensions and structure diagram

Diameter (DN)mm	Display Size a×b	VA30S pipe threaded joint			FA30S Flange connection				WA30S Flange connection		
		L1	C	D	L2	E	F	n-G	L3	J	K
15	26×230	344	Φ38	G1/2"	348	Φ65	Φ95	4-Φ14	376	50.5	3/4"
25		348	Φ55	G1"	348	Φ85	Φ115	4-Φ14	376	50.5	1"
40	40×230	370	Φ70	G1 1/2"	370	Φ110	Φ145	4-Φ18	376	50.5	1 1/2"
50	50×230	380	Φ90	G2"	380	Φ125	Φ160	4-Φ18	376	64	2"



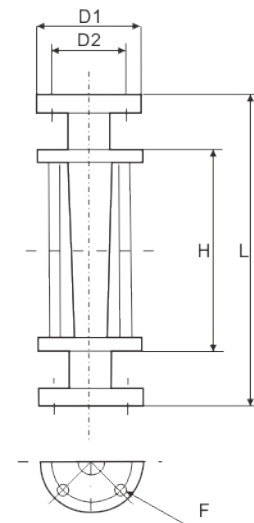
LZB Glass Tube Flowmeter

LZB-FA100 Glass Rotator Flowmeter

This flowmeter is highly sensitive and works in a wide range with low pressure loss, besides other advantages e.g. easy to operate etc. It is usually used for low pressure, high temperature shear liquid or gases without suspending particles and has been widely employed in various industries e.g. petroleum, chemicals, electronics, environmental protection, power supply and medicine etc.

LZB-FA100 Main Technical Parameters

Diameter (mm)	Flow Range		Working pressure
	Water (l/h)	Air (Nm ³ /min)	
15	30-300	10-100	≤0.8
	60-600	20-200	
	80-800	25-250	
20	90-900	20-200	
	120-1200	30-300	
	180-1800	50-500	
25	180-1800	50-500	
	300-3000	100-1000	
	480-4800	150-1500	
32	480-4800	200-2000	
	600-6000	250-2500	
	720-7200	300-3000	
40	1-10m ³ /h	18-180Nm ³ /h	
	1.2-12m ³ /h	20-200Nm ³ /h	
	1.5-15m ³ /h	25-250Nm ³ /h	
50	1.2-12m ³ /h	20-200Nm ³ /h	
	1.5-15m ³ /h	25-250Nm ³ /h	
	1.8-18m ³ /h	30-300Nm ³ /h	
65	1.8-18m ³ /h	25-250Nm ³ /h	≤0.4
	3-30m ³ /h	35-350Nm ³ /h	
	4-40m ³ /h	40-400Nm ³ /h	
80	4-40m ³ /h	40-400Nm ³ /h	
	5-50m ³ /h	50-500Nm ³ /h	
	6-60m ³ /h	60-600Nm ³ /h	
100	6-60m ³ /h	60-600Nm ³ /h	
	7-70m ³ /h	70-700Nm ³ /h	
	10-100m ³ /h	90-900Nm ³ /h	



LZB-FA100 Outline and Installation Dimensions

Model	FA100-15	FA100-20	FA100-25	FA100-32	FA100-40	FA100-50	FA100-65	FA100-80	FA100-100
L	260	340	340	340	340	340	390	390	410
H	150	200	200	200	200	200	250	250	250
D1	95	105	115	135	145	160	180	185	205
D2	65	75	85	100	110	125	145	150	170
F	4-φ14	4-φ14	4-φ14	4-φ18	4-φ18	4-φ18	4-φ18	4-φ18	4-φ18

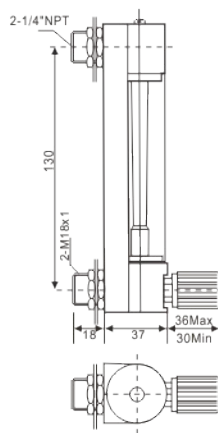
LZB-K300/K400 Series Glass Tube Flowmeter

The series of glass rotor flowmeter is a high-precision flow meter, liquid contact part of the aluminum or 304SS, the overall beautiful and lightweight, wide range of applications, mainly used in analytical instruments, test equipment and scientific research and other departments.

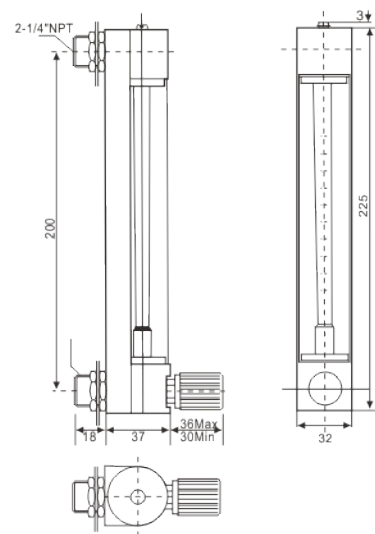
Medium temperature: $\leq 100^{\circ}\text{C}$ (304SS)
 $\leq 60^{\circ}\text{C}$ (Aluminum)

Accuracy: $\pm 2.5\%$

Working pressure: $\leq 0.6\text{MPa}$



K-300



K-400

K-300

Model	Diameter DN	Flow Range		Femal
		Liquid(mL/min)	Air (NmL/min)	
K3011	DN3	2.5-25	3-30 6-60	1/8"NPT 1/4"NPT
K3012	DN4	4-40	8-80 25-250 100-1000	1/4"NPT 1/4"G
K3013	DN6	8-80 20-200 35-350 40-400 70-700 0.1-1Lmin	0.18-1.8 NL/min 0.4-4 NL/min 0.8-8 NL/min 1.5-15 NL/min 1.8-18 NL/min 3-30 NL/min	

K-400

Model	Liquid (mL/min)	Air (NmL/min)	Female
K-4011	20-200	0.3-3	1/8"NPT* 1/4"NPT
K-4012	30-300	0.5-5	
K-4013	50-500	1-10	1/4"NPT 1/4"G
K-4014	0.1-1 L/min	2-20	
K-4015	0.15-1.5L/min	3-30	

Variable-area Flowmeter

■ LZDH Series(M3S Indicator)



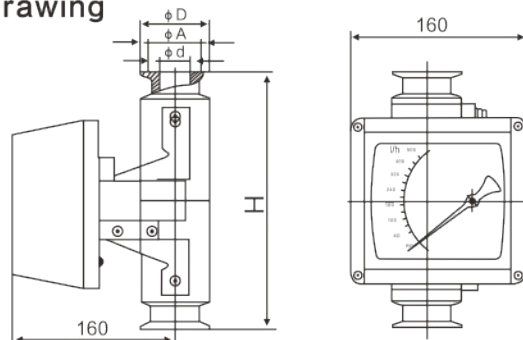
■ Clamp type



Model	LZDH-□□□□/M3S/...	LZ ^Z H-□□□□K/...
Diameter	DN15~150mm	DN15~100mm
Range	See the LZ ^Z H series flow range table	See the LZ ^Z H series flow range table
Accuracy	± 2.5% , Special or der ± 1% (liquid)	± 2.5% , Special or der ± 1% (liquid)
Max working pressure	1.6~4.0MPa(By diameter)	1.6~4.0MPa(By diameter)
Medium tem	Common type: -40°C~100°C, High temperature type: -80°C~250°C	Common type: -40°C~100°C, High temperature type: -80°C~250°C
Ambient temperature	-25°C~+65°C	-40°C~+65°C
Connection	Flange connection, GB/9115.1-2000(GB)	SMS(British Standard)
Cable interface	M20x1.5(Special requirements can be customized)	M20x1.5(Special requirements can be customized)
Protection class	IP65	IP65
Explosion protection rating	Explosion suppression: Exd II BT4	Safety: Exib II CT4(With LB987S Safety gate)
Medium viscosity	DN15≤5mPa.s DN25~150≤250mPa.s	DN15≤5mPa.s DN25~100≤250mPa.s
Power supply mode	DC24V	DC24V
Measuring tube material	304,316,lined with PTFE or F46	304, 316, lined with PTFE or F46
Float material	304 or 316,PTFE or F46	304 or 316, PTFE or F46
Indicator material	Aluminium alloy	SS or Aluminium alloy
Product performance standards	JB/T6844-1993(Mechanical department standard)	JB/T6844-1993(Mechanical department standard)
Display	The indicator, liquid crystal display instantaneous and cumulative flow	Needle
Output	Two-wire DC24V, 4~20mA current	Two-wire DC24V, 4~20mA current

■ LZ^ZH Series clamp standard dimension drawing

DN	H	D	A	d
15	250	34	27.5	22
20	250	50.5	43.5	37
25	250	50.5	43.5	37
32	250	50.5	43.5	37
40	250	50.5	43.5	37
50	250	64	56.5	50
65	250	77.5	70.5	58
65	250	91	83.5	67
80	250	106	97	80
100	250	119	110	90



Variable-area Flowmeter

■ LZ^ZH Horizontal series (M4indicator)



■ LZXX Series of micro flowmeter



Model	LZ ^Z H-□□□S/...	LZXX Series of micro flowmeter
Diameter	DN15~150mm	DN6~10mm
Range	See the LZ ^Z H series flow range table	See the LZXX series flow range table
Accuracy	± 2.5% , special or der ± 1% (liquid)	± 2.5%/ ± 4.0%
Max working pressure	1.6~4.0MPa(By diameter)	16MPa
Medium tem	Common type: -40℃~100℃, High temperature type: -80℃~250℃	-40℃~+120℃
Ambient temperature	-25℃~+65℃	-40℃~+80℃
Connection	Flange connection, GB/9115.1-2000(GB)	1/4" NPT, 1/2" NPT, 3/4" NPT, 1" NPT
Cable interface	M20x1.5(Special requirements can be customized)	
Protection class	IP65	
Explosion protection rating	Safety: Exib II CT4(With LB987S Safety gate)	
Medium viscosity	DN15≤5mPa.s DN25~100≤250mPa.s	1/2" NPT≤5mPa.s, 1" NPT≤250mPa.s
Power supply mode	DC24V	
Measuring tube material	304,316,lined with PTFE or F46	304, 316
Float material	304 or 316,PTFE or F46	304 or 316
Indicator material	SS or Aluminium alloy	SS or Aluminium alloy
Product performance standards	JB/T6844-1993(Mechanical department standard)	JB/T6844-1993(Mechanical department standard)
Display	The indicator, liquid crystal display instantaneous and cumulative flow	Needle
Output	Two-wire DC24V, 4~20mA current	

Variable-area Flowmeter

■ LZ_D^ZH Series flow range form

Diameter (mm)	Flow Range			Pressure loss(kpa)		
	Water l/h*		Air m ³ /h*	Water		Air
	Room temperature type	Anti-corrosion type	Room temperature type Anti-corrosion type	Room temperature type	Anti-corrosion type	
15	2.5-25	2.5-25	0.07-0.7	6.5	5.5	7.1
	4.0-40	4.0-40	0.11-1.1	6.5	5.5	7.2
	6.3-63	6.3-63	0.18-1.8	6.6	5.6	7.3
	10-100	10-100	0.28-2.8	6.6	5.6	7.5
	16-160	16-160	0.48-4.8	6.8	5.8	8
	25-250	25-250	0.7-7	7	6.1	10.8
	40-400	40-400	0.1-10	8.6	7.3	10
	63-630	--	1.6-16	11.1	--	14
80-800	--	--	13.1	--	--	
25	40-400	63-630	3-30	7	5.9	7.7
	63-630	100-1000	4.5-45	7	6	8.8
	80-800	160-1600	7-70	7	6.8	12
	100-1000	250-2500	11-110	7	9.2	19
	160-1600	--	--	8	--	--
	250-2500	--	--	10.8	--	--
	400-4000	--	--	15.8	--	--
	500-5000	--	--	20.4	--	--
600-6000	--	--	25.6	--	--	
40	160-1600	300-3000	12-120	10.8	8.6	9.8
	250-2500	350-3500	16-160	10.8	10.4	16.5
	400-4000	--	--	10.8	--	--
	500-5000	--	--	10.8	--	--
	600-6000	--	--	12.6	--	--
	1000-10000	--	--	15.8	--	--
50	400-4000	400-4000	18-180	8.1	6.8	8.6
	630-6300	630-6300	25-250	8.1	9.4	10.4
	1000-10000	1000-10000	40-400	11	14.5	15.5
	1600-16000	--	--	17	--	--
	2000-20000	--	--	19	--	--
80	1000-10000	1600-16000	60-600	8.1	6.9	12.9
	1600-16000	2500-25000	80-800	8.1	8	18.5
	2500-25000	--	--	8.1	--	--
	4000-40000	--	--	9.5	--	--
	6000-60000	--	--	21	--	--
	7000-70000	--	--	26	--	--
100	4000-40000	4000-40000	--	15	8.5	--
	6300-63000	--	--	15	--	--
	10000-100000	--	--	20	--	--
150	10000-100000	--	--	19.2	--	--
	15000-150000	--	--	25	--	--
	18000-180000	--	--	30	--	--

Note: Water 20°C, Air 101325Pa, 20°C; Special traffic can be ordered in particular.

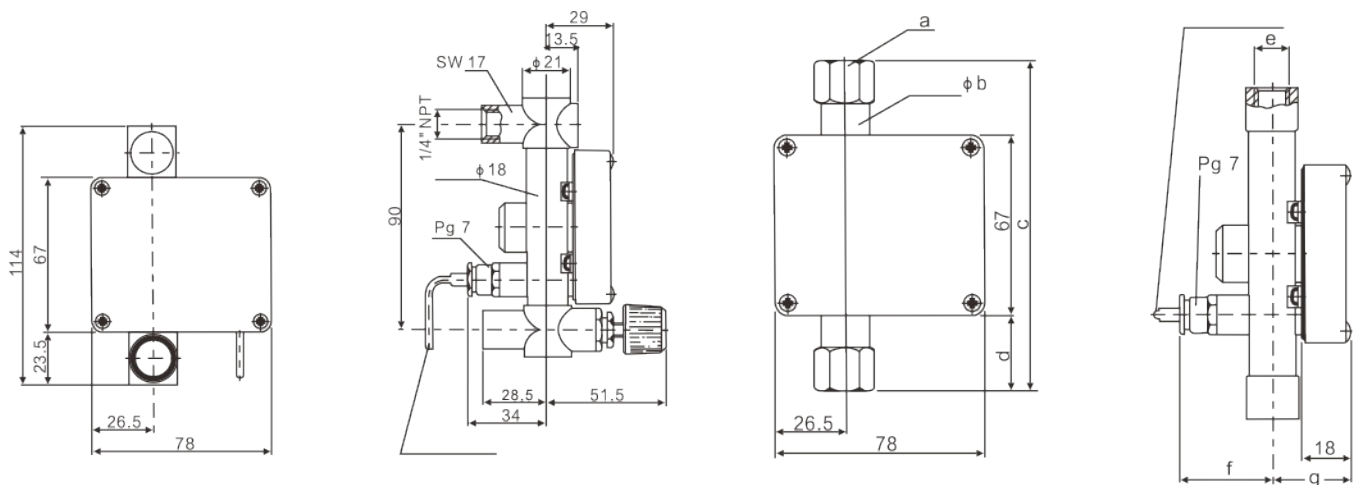
Variable-area Flowmeter

LZZX Series flow range

Model	Flow range (Water)	a	b	c	d	e	f	g	Installation method
LZX-6	≤100l/h	SW19	18	125	29	NPT1/4"	34	29	Down import and up export, side import and side export
LZX-10	100-300l/h	SW24	25	164	40	NPT3/8"	30.5	32.5	Down import and up export

LZZX series Technical Parameters

Model	Flow Range		Pressure loss(kpa)	Connect thread
	Water (l/h)	Air (l/h)		
LZX-6	0.1-1	3.5-35	8	Female NPT1/4"
	0.16-1.6	5.4-54	8	
	0.25-2.5	10-100	8	
	0.4-4	16-160	8	
	0.6-6	23-230	8	
	1-10	35-350	8	
	1.6-16	54-540	8	
	2.5-25	85-850	9	
	4-40	125-125	10.5	
	6-60	190-1900	12.5	
LZX-10	10-100	320-3200	8	Female NPT3/8"
	16-160	500-5000	8	
	20-200	600-6000	8	
	25-250	800-8000	8	
	30-300	900-9000	8	



Variable-area Flowmeter

■ Selection instructions

LZ -///////////

1 2 3 4 *5 *6 *7 8 9 10 11 12

1. Series selection

ZH Hole plate float, Local instructions

DH Hole plate float, Radio remote zone with local indicators

Z Taper tube float type, Local instructions

D Taper tube float type, Radio remote zone with local indicators

2. Diameter and installation form

Code	DN	Code	DN
015	15	080	80
025	25	100	100
040	40	150	150
050	50		

Note: No mark means vertical type

Marked as S means Horizontal type (DN15~100)

Marked as L means thread type (DN15~100)

Marked as K means Clamp type (DN15~100)

3. Measuring tube material selection

R1 304SS

R0 316SS

F PTFE or F46 lining (Just for LZZH/LZDH vertical type)

4. Indicator form

M1 Aluminum alloy housing linear indicator

M2 Stainless steel housing non-linear indicator

M4 Aluminum alloy shell non-linear indicator

M2S Stainless steel housing intelligent remote indicator

M3S Cast aluminum shell intelligent remote explosion-proof indicator

M4S Aluminum alloy case intelligent liquid crystal field indicator

*5. Remote transmitter selection

Es4 Electric remote transmission: 4~20mA

Two-wire 24VDC power supply (LZDH and LZD)

*6. Explosion protection type

Exid II CT4

Exd II BT4

Variable-area Flowmeter

■ Selection instructions

*7.Special requirements for measuring tubes

T Insulation jacket

8.Medium tem

H1-40℃~+100℃

H2-80℃~+250℃

(Anti-corrosion type can only choose H1, DN50~100 can 150℃)

9.Nominal pressure selection

P₁ 1.6MPa(DN80~150LZZH/LZDH)

P₂ 2.5MPa(DN25~100LZZ/LZD)

P₄ 4.0MPa(DN15~50LZZH/LZDH)

P₆ 6.4MPa(DN25~50LZZ/LZD)

10.Flow range selection

Refer to the flow chart

11.Media status selection

A Air(The measurement of gas is preferred LZZH/LZDH series,and choose the dampers)

L Liquid

12.Alarm selection

K1、K2(Only optional in the M2 indicator, and can not be escorted with Es4 4-20mA common election)

* Note: In addition to the other without *, is must fill in ,the electric remote or intelligent, if the medium temperature is higher than 90℃, please pay special attention to the selection of the M2 indicator.

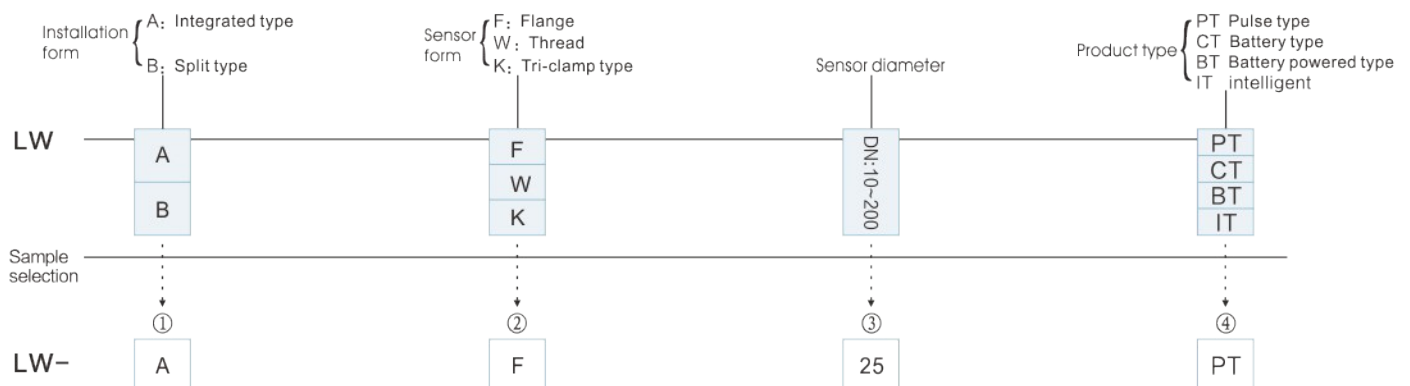
LW Turbine Flowmeter

LW Turbine Flowmeter outline

LW series turbine flowmeter as a speed measurement instrument is used to measure the full closed pipe, liquid volume flow. Continuous flow turbine flow sensor for the measurement of low viscosity liquid, which has the advantages of high precision, can bear high working pressure. The preamplifier consists of pulse output, 4~20mA standard current signal output type, flow the detector has the ordinary type, wear resistant and corrosion resistant type, which in addition to the shaft and the use of hard alloy, designed as impeller has proper anti thrust, make it more suitable for the measurement of gasoline lubricating performance liquid.

LW-Turbine Technical Parameters

Diameter DN (mm)	Range (m ³ /h)		Fluid temperature (°C)	Working pressure (Mpa)	Ambient temperature (°C)	Maximum pressure loss (Mpa)
	Accurary 0.5%	Accurary 1.0%				
2*	/	0.01~0.13	-20~100	1.6	-25~55	0.12
3*	/	0.04~0.25				
4*	/	0.04~0.25				
6*	0.1~6	0.1~0.6		6.3		0.08
10	0.25~1.2	0.2~1.2		16*		
15	0.6~4	0.4~4		25		0.05
20	1.1~7	0.7~7		40*		0.035
25	1.6~10	1~10		2.5 or 6.3		
32	2.5~16	1.6~16		1.6 or 2.5		0.025
40	3~20	2.5~25				
50	4~40	4~40				
65	6~60	6~60				
80	10~100	10~100		1.6		
100	20~160	16~160				
150	50~300	40~400				
200	100~600	80~800				



LW Turbine Flowmeter

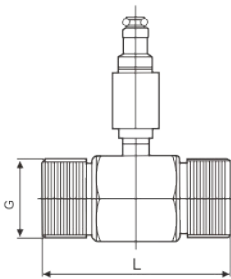
LW Turbine Flowmeter product type

One、RT Pulse type : Three-lines,24VDC,Output flow pulse,Can be connected to PLC and flow calculator

Two、CT Battery type : Two-lines,24VDC,output4-20ma

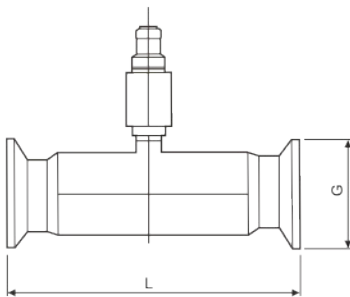
Three、BT Battery powered type : Status display of instantaneous flow and cumulative flow, no output signal

Four、IT intelligent : 24VDC and 220VDC,can output 4-20ma、 pulse、 instantaneous flow and cumulative flow.



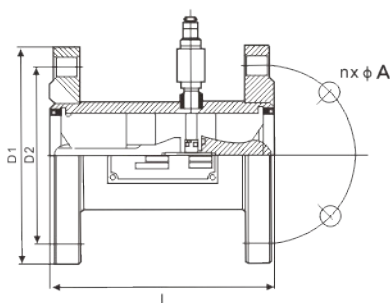
Thread connection size

DN	2*, 3*, 4*	6	10	15	20	25	32		
G	1/4	3/8	1/2	1	1	1-1/4	1-1/2		
L(mm)	40	55	40	50	60	75	75	100	120



Sleeve connection size

Diameter (DN)		G	L
10	3/8"	51	100
15	1/2"	51	100
20	3/4"	51	100
25	1"	51	100
32	1 1/4"	64	140
40	1 1/2"	64	140
50	2"	77.5	150
65	2 1/2"	91	182



Flange connection size

DN	D1	D2	nx φ A	L
10	90	60	4x14	60
15	95	65	4x14	75
20	105	75	4x14	75
25	115	85	4x14	100
32	140	100	4x18	120
40	150	110	4x18	140
50	165	125	4x18	150
65	185	145	4x18	180
80	200	160	8x18	200
100	220	180	8x18	220
150	285	240	8x22	300
200	340	295	12x22	360

LD Series Electromagnetic Flowmeter

LD-Series Electromagnetic Flowmeter

Smart electromagnetic flowmeter LD series is oriented for conductive liquid with conductance higher than 5 μ s/cm, it can be used to measure the volume flow of conductive fluid in a closed pipeline. It is composed of sensor and converter and two versions are available: compact version and separate version. It is widely applied in the flow measurement and control in the field of chemical and petroleum industry, metallurgy industry, water and waste water, agriculture and irrigation, paper making, food and beverage industry and pharmaceutical industry.

Product performance standards: JB/T9248-1999 (Mechanical department standard)

Flange standards: GB/T9115.1-2000 (GB)

LD-Series Electromagnetic Flowmeter

Diameter	DN10-DN2200
Electrode material	316L, Hb, Hc, Ti, Ta, Pt
Lining material	Neoprene, Polyurethane, PTFE, PFA, F46
Medium	Liquid
Conductivity	$\geq 5 \mu\text{s}/\text{nm}$
Accuracy	$\pm 0.5\% - \pm 1.0\%$
Range	0.3m/s-10m/s
Working Tem	Integrated $\leq 120^\circ\text{C}$, Spit type $\leq 150^\circ\text{C}$ (rubber 80°C)
Working pressure	0.6MPa-4.0MPa (According to)
Protection	IP65, IP67, IP68 (Spit type)
Output	4-20mA/Frequency / pulse output
Power supply	220VAC, 24VDC, Z lithium battery
Installation	Integrated, Spit

Integrated type



Spit type



Electromagnetic Flowmeter

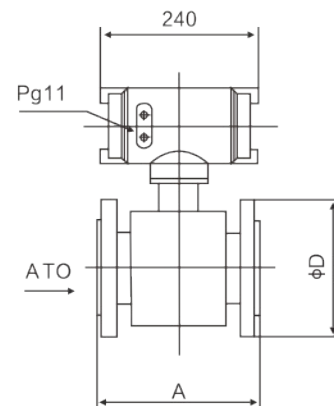
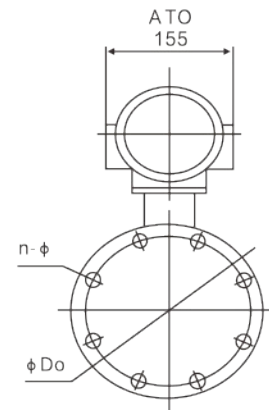
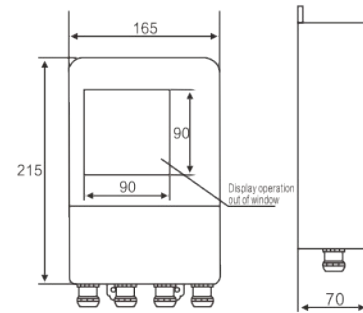
LD-Series Electromagnetic Flowmeter

Diameter	Minimum flow selection	Common range of flow options (m ³ /h)
10	0.10	0.4,0.5,0.6,0.8,1.0,1.2,1.6,2.0,2.5
15	0.20	1.0,1.2,1.6,2.0,2.5,3.0,4.0,5.0,6.0
20	0.35	2.0,2.5,3.0,4.0,5.0,6.0,8.0,10.0,12.0
25	0.55	3.0,4.0,5.0,6.0,8.0,10.0,12.0,14.0,16.0
32	1.0	5.0,6.0,8.0,10.0,12,16,20,25
40	1.5	8.0,10.0,12,16,20,25,30,40
50	2.5	12,16,20,25,30,40,50,60,70
65	4.0	20,25,30,40,50,60,80,100,120
80	5.5	25,30,40,50,60,80,100,120,160
100	8.5	40,50,60,80,100,120,160,200,250
125	14	60,80,100,120,160,200,250,300,400,500,600
150	20	100,120,160,200,250,300,400,500,600
200	35	160,200,250,300,400,500,600,800,1000
250	55	200,250,300,400,500,600,800,1000,1200,1600
300	80	300,400,500,600,800,1000,1200,1600,2000,2500
350	105	400,500,600,800,1000,1200,1600,2000,2500,3000
400	135	500,600,800,1000,1200,1600,2000,2500,3000,4000
450	175	600,800,1000,1200,1600,2000,2500,3000,4000,5000
500	215	800,1000,1200,1600,2000,2500,3000,4000,5000,6000
600	305	1000,1200,1600,2000,2500,3000,4000,5000,6000,10000
700	415	1200,1600,2000,2500,3000,4000,5000,6000,10000,12000
800	545	1600,2000,2500,3000,4000,5000,6000,10000,12000,16000
900	690	2000,2500,3000,4000,5000,6000,10000,12000,16000,20000
1000	850	2500,3000,4000,5000,6000,10000,12000,16000,20000,25000
1200	1250	6000,10000,20000,30000,40000,50000
1400	1700	8000,10000,20000,30000,40000,50000
1600	2500	10000,20000,30000,40000,50000,65000
1800	3000	15000,20000,30000,40000,50000,60000,70000,80000
2000	3500	20000,40000,60000,80000,100000
2200	4000	20000,40000,60000,80000,100000,120000

Electromagnetic Flowmeter

LD-Series Electromagnetic Flowmeter

Diameter	A	D	DO	n-φ
10	200	90	60	4x14
15	200	95	65	4x14
20	200	105	75	4x14
25	200	115	85	4x14
32	200	140	100	4x18
40	200	150	110	4x18
50	200	165	125	4x18
65	200	185	145	8x18
80	200	200	160	8x18
100	250	220	180	8x18
125	250	250	210	8x18
150	300	285	240	8x22
200	350	340	295	8x22
250	400	395	350	12x22
300	460	445	400	12x22
350	460	505	460	16x26
400	600	565	515	16x26
450	600	615	565	20x26
500	600	670	620	20x26
600	600	780	725	20x30
700	600	895	840	20x30
800	800	1015	950	24x33
900	900	1115	1050	24x33
1000	1000	1230	1160	28x33
1200	1200	1405	1340	28x36
1400	1400	1630	1560	32x36
1600	1600	1830	1760	36x36
1800	1800	2045	1970	36x36
2000	2000	2265	2180	48x42
2200	2200	2405	2315	52x45



Electromagnetic Flowmeter

Model selection and description

LD□—□□/□/□/□/□/□/□/□/□/□/□/□/□/□

A B C D E F G H I J K L M N

LD□: Pipe connection

LD: Flange LDJ: Clip hold type LDL: Thread type LDK: Tri-Clamps LDC: Plug type

A: Diameter code

Code	DN	Code	DN	Code	DN
10	10	125	125	700	700
15	15	150	150	800	800
20	20	200	200	900	900
25	25	250	250	10A	1000
32	32	300	300	12A	1200
40	40	350	350	14A	1400
50	50	400	400	16A	1600
65	65	450	450	18A	1800
80	80	500	500	20A	2000
100	100	600	600	22A	2200

B: Flowmeter structure

Y: Integrated type

F: Spit type

C: Converter model

ZA: Circular

ZB: Square

ZC: No display, only current output

ZD: Z lithium battery

FOX: USA FOXBORO

D: Nominal pressure

P0: PN≤0.25MPa(DN2200)

P1: PN≤0.6MPa(DN1200~2000)

P2: PN≤1.0MPa(DN200~1000)

P3: PN≤1.6MPa(DN100~150)

P4: PN≤4.0MPa(DN10~80)

P6: High pressure type, and indicate the specific pressure level:
PN10、16、25MPa(DN15~65)

Electromagnetic Flowmeter

E: Power supply

AC: 220V AC(90~245V 50/60Hz)

DC: 24V DC(20~36V)

F: Output

If: 4~20mA、1KHZ Basic configuration
RS: RS485

BS: MODBUS Protocol
HT: HART MODBUS Protocol

G: Explosion protection requirements

N: No explosion

Ex: Flameproof (one-piece flameproof can only choose Za converter)

H: Medium Tem

T1: ≤65℃

T2: ≤120℃

T3: ≤180℃(Only split, with high temperature coil)

I: Lined material

NE: Chloroprene rubber (≤65℃, DN50~2000)

PUNE: Polyurethane rubber (≤65℃, DN25~800)

PTFE: Politef(≤120℃, DN10~600)

PFA: PFA (≤120℃, DN10~300)

F46: FEP(≤180℃, DN20~300)

J: Electrode material

316L: SS

Ti

HC

HB

TUC

Ta

Pt

K: Grounding ring or ground electrode

N: Rubber lining is not equipped with ground ring

S2: SS316 ground ring

S1: SS304 ground ring

S3: Use 3 electrode structure, one of which is ground electrode

S4: Selection of PVC plastic ring built-in grounding structure

L: Matching with flange

N: No

Y: Need to match flanges and fasteners

M: Full scale flow(see the flow chat)

N: Signal line length(just for Spit type)

Snowate



Ms Snow Zhao
snow@snowate.com
snow@membranehousing.org
Mobile: +86-15030811699
(WhatsApp, WeChat, Skype, Viber)